

# DC NO-POLARITY BREAKER

EDB1-63 series DC No-Polarity Miniature Circuit Breaker



## Product Application

The circuit breaker has the functions of short circuit protection, overload protection, control, isolation and so on. It is suitable for terminal power distribution, civil construction, energy control, communication, and infrastructure construction fields.

## Product Benefits

- Overload and the short circuit protection function
- Rated short circuit breaking capacity up to 10 kA
- Non-polarity and Polarity both available
- Rated Current In up to 63A
- Rated Voltage up to 1000V
- Designed for PV, energy storage and other DC applications
- AS/NZS 60947.2 and IEC 60947-2 standard



## Select Code

$\frac{E}{1}$	$\frac{D}{2}$	$\frac{B}{3}$	1 -	$\frac{63}{4}$	$\frac{\square}{5} / \frac{\square}{6}$	$\frac{\square}{7} / \frac{\square}{8}$	$\frac{\square}{9}$
---------------	---------------	---------------	-----	----------------	---	---	---------------------

Code	Name	Description
1	<b>ASwich</b> brand	E
2	DC	D
3	Miniature Circuit Breaker	B
4	Frame Current	63A
5	Breaking Capacity	Nil: 6kA H:10kA
6	Tripping curve	B C
7	Rated current	10:10A    32:32A 16:16A    40:40A 20:20A    50:50A 25:25A    63:63A
8	Poles	1:1P   2:2P   3:3P   4:4P
9	Rated Working Voltage	Nil:Normal Voltage    H:High Voltage

## EDB1-63 series DC No-Polarity Miniature Circuit Breaker

### Appearance Introduction



### Technical Data

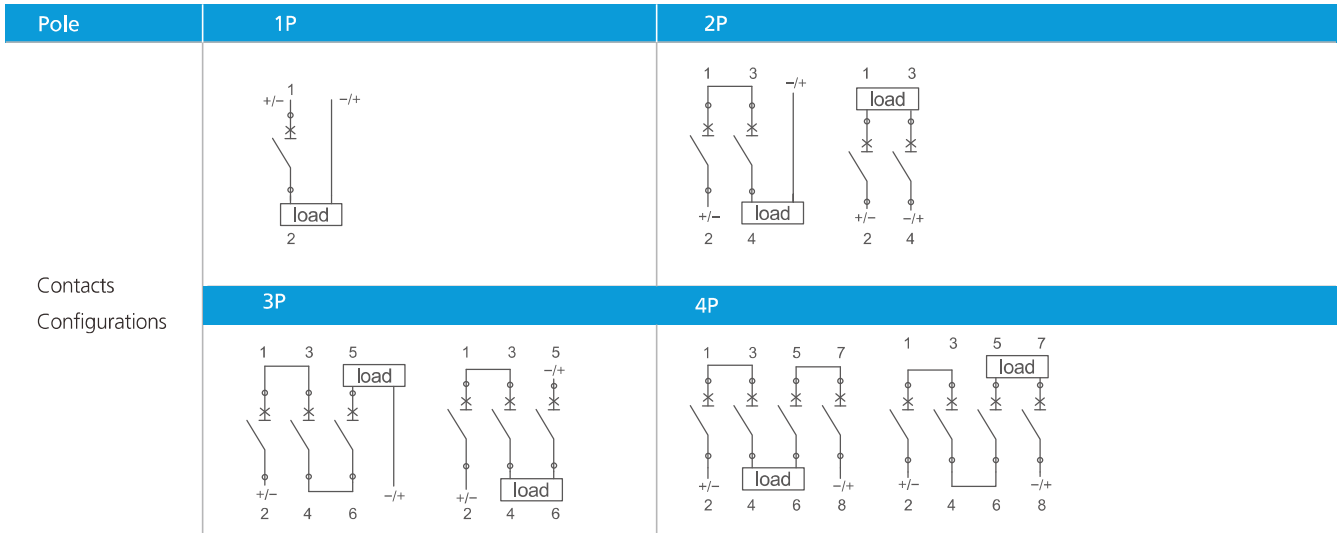
According to EN60947-2, AS/NZS 60947.2

Pole		1P	2P	3P	4P
Rated Working Voltage	Normal Voltage Ue	250V DC	500V DC	750V DC	1000V DC
	High Voltage Ue	300V DC	600V DC	900V DC	1200V DC
Frame Current		63A			
Rated Current	In	10A, 16A, 20A, 25A, 32A, 40A, 50A, 63A			
Rated Insulation Voltage	Ui	1200V			
Rated Impulse Withstand Voltage	Uimp	6kV			
Tripping Characteristics		B/C			
Tripping Type		Thermal Magnetic			
Rated Ultimate Short-Circuit Breaking Capacity	Icu	6/10kA			
Rated Service Short-Circuit Interrupting Capacity	Ics	6/7.5 kA			
Electrical Life	Actual	2000 Cycles			
	Standard	1500 Cycles			
Mechanical Life	Actual	20000 Cycles			
	Standard	8500 Cycles			
Overvoltage Category		III			
Pollution Degree		3			
Ingress Protection		IP40; Wiring port IP20			
Resistance to humidity and heat		Class 2			
Relative Humidity		≤ 95 %			
Vibration		acc. to IEC60068-2-6			
Shocks		acc. to IEC60068-2-27			
Terminal capacity		2.5-25mm <sup>2</sup>			
Fastening Torque of Terminals		2.5 N·m			
Ambient Temperature		-30°C~70°C			
Storage Temperature		-40°C~85°C			
Installation Method		DIN			
Elevation		≤2000m			
Dimension		Width: 18mm/Pole			
		High: 68mm			
		Depth: 81mm			
Weight		125.3g	250.55g	375.9g	501.1g

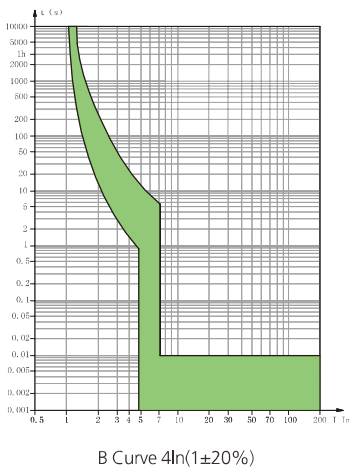
# DC NO-POLARITY BREAKER

## EDB1-63 series DC No-Polarity Miniature Circuit Breaker

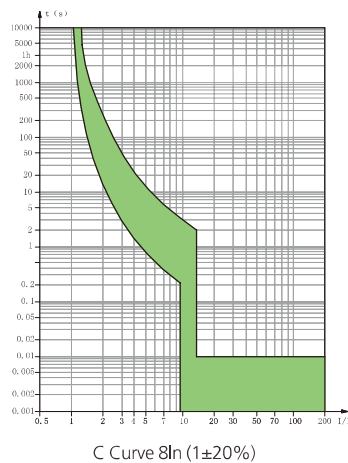
### Contacts Configurations



### Tripping Characteristics



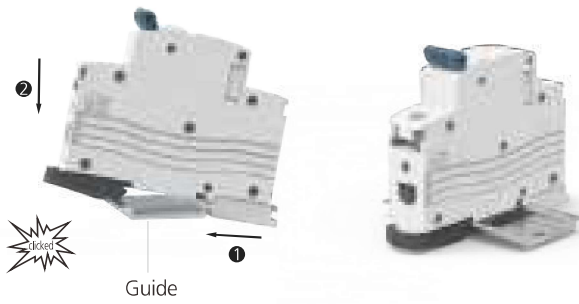
- $I_n t = 1.05 I_n t \leq 1h$
- $I t = 1.3 I_n t < 1h$
- $2.55 I_n t = 1-60s (I_n \leq 32A)$   
 $t = 1-120s (I_n > 32A)$
- Suitable for pure resistive load and microinductive circuit
- Available to rated current of 10A ~ 63A(63A Frame)
- Instantaneous tripping range:  $4I_n \pm 20\%$



- $I_n t = 1.05 I_n t \leq 1h$
- $I t = 1.3 I_n t < 1h$
- $2.55 I_n t = 1-60s (I_n \leq 32A)$   
 $t = 1-120s (I_n > 32A)$
- Suitable for general load and power distribution circuit
- Available to rated current of 10A ~ 63A(63A Frame)
- Instantaneous tripping range:  $8I_n \pm 20\%$

## EDB1-63 series DC No-Polarity Miniature Circuit Breaker

### Installation



### Disassemble



### Dimensions

